

SNUB BLOCKS

TE16SB

- Standard snub block.
- Bolt centres - 51mm x 130mm.
- Colour - Black.



TE16A31

- Pivot type snub block to take a 10mm shaft.
- Base size - 50mm x 52mm.
- Colour - Black.



TE16SBM

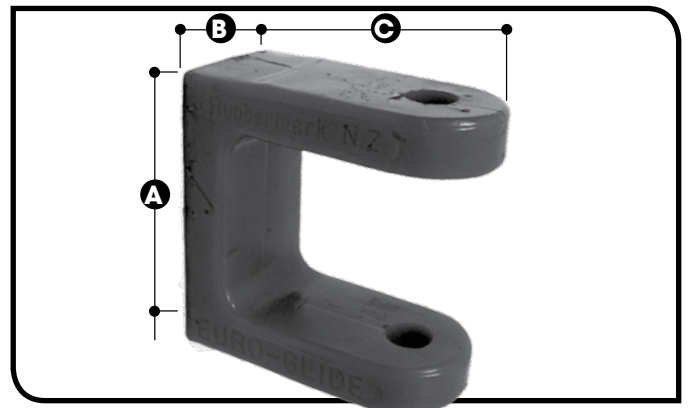
- Pivot type snub block to take a 15mm shaft.
- Base size - 49mm x 64mm.
- Colour - Black.



JET SKI SNUB BLOCKS

Manufactured from high quality red polyurethane.

| PART NO | COLOUR | A | B | C | PIN HOLE DIA |
|---------|--------|-------|------|------|--------------|
| TE16A41 | Red | 98mm | 48mm | 76mm | 15.8mm |
| TE16A42 | Red | 130mm | 48mm | 83mm | 15.8mm |

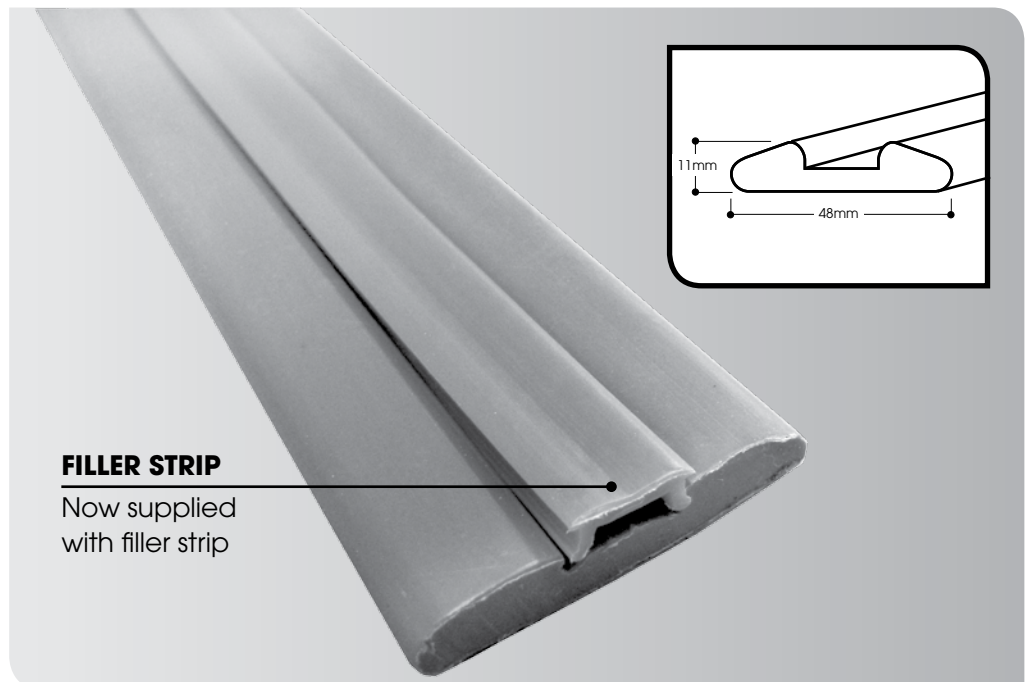


POLY SKID STRIP

TE16PSS

This hard wearing poly-nylon strip is specially designed for marine boat trailer skids.

- No countersinking required, just drill and screw or rivet in place
- Designed for use on alloy hulls only
- Specially designed for marine boat trailer skids
- Hard wearing, long lasting poly-nylon
- Colour: Blue



FILLER STRIP

Now supplied with filler strip