

MACHINERY STANDS

MACHINERY STAND
TE9JW10



MACHINERY STAND
TE9JW3000



MACHINERY STAND
TE9JW5000




MACHINERY STAND
TE9JW7500




MACHINERY STAND
TE9JW16

50mm RHS Side Bracket
Bracket is 100mm long with 13mm holes




MACHINERY STAND
TE9JW17

Bracket is 65mm long with 17mm holes



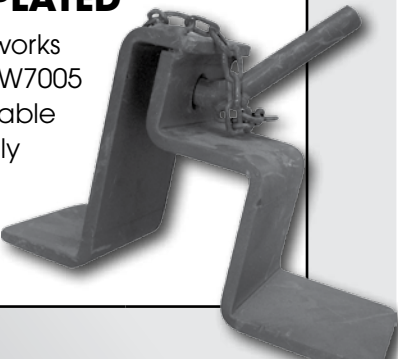
MACHINERY STAND
TE9JW7005
ZINC PLATED

Rugged box lifter jack with full length adjustment and large foot



Adjustable Bracket
TE9JW7005B
ZINC PLATED

Bracket works with TE9JW7005 but available separately



CM stock a diverse range of premium quality jockey wheels and machinery stands, most of which are manufactured in Christchurch, designed to suit NZ conditions, all these are covered by the manufacturers guarantee of quality. We can also make specials to order.

PART NO	CAPACITY	CLOSED HEIGHT	EXTENDED	CLOSED HEIGHT SWIVEL CENTRE LINE TO BASE
TE9JW10	2000kg	580mm	955mm	
TE9JW16	2000kg	580mm	955mm	380mm
TE9JW17	2000kg	580mm	955mm	350mm
TE9JW3000	3000kg	600mm	975mm	
TE9JW5000	5000kg	600mm	975mm	
TE9JW7005	5000kg	680mm	1075mm	
TE9JW7500	7500kg	500mm	850mm	

