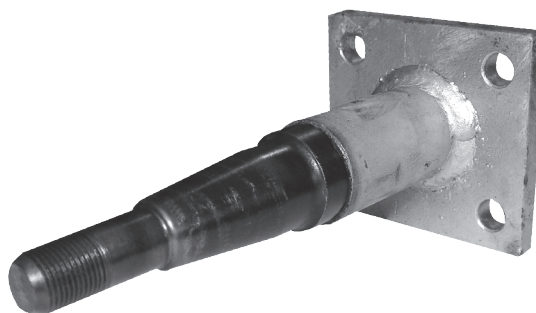
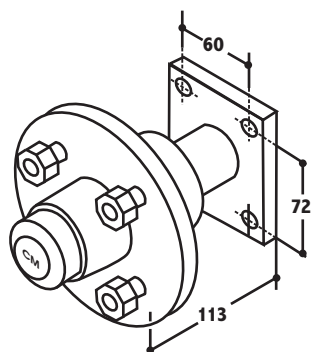


BOLT ON AXLES

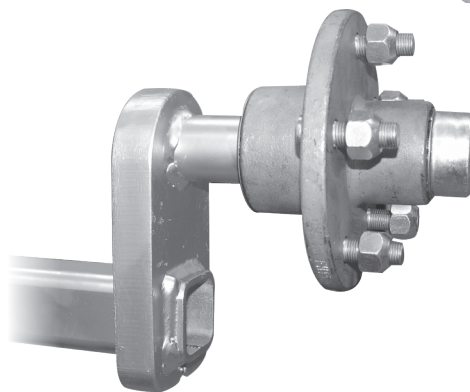
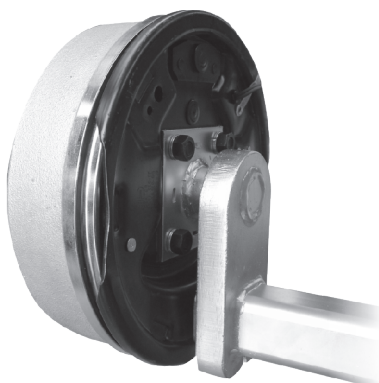
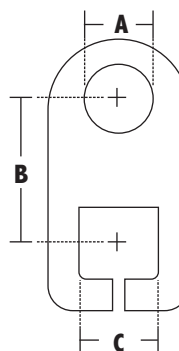
CM bolt-on axles available for 1500kg and 1750kg range of hubs.



DROP AXLE PLATES

Used to lower the axle.

| PART NO | A | B | C | THICKNESS |
|------------------|------|-------|-------------|-----------|
| TE190DAP5090-39 | 39mm | 100mm | 50mm x 50mm | 25mm |
| TE190DAP5090-45 | 45mm | 100mm | 50mm x 50mm | 25mm |
| TE190DAP65100-45 | 45mm | 100mm | 65mm x 65mm | 25mm |



WHEEL BEARING AND SEAL KITS

- All CM wheel bearing kits include Japanese bearings, seals and split pin to recondition 1 hub

| PART NO | INNER BEARING | OUTER BEARING | SEAL |
|-------------|---------------|---------------|----------------------|
| TE190186 | LM67048-10 | LM11949-10 | 2 Lip |
| TE190187 | LM67048-10 | LM11949-10 | 2 Piece 3 Lip Marine |
| TE190188-02 | L68149-10 | LM12749-10 | 2 Piece 3 Lip Marine |



Shown with marine seal

PLEASE NOTE: ALL SPECIFICATIONS AND DIMENSIONS ARE SUBJECT TO CHANGE WITHOUT PRIOR NOTIFICATION