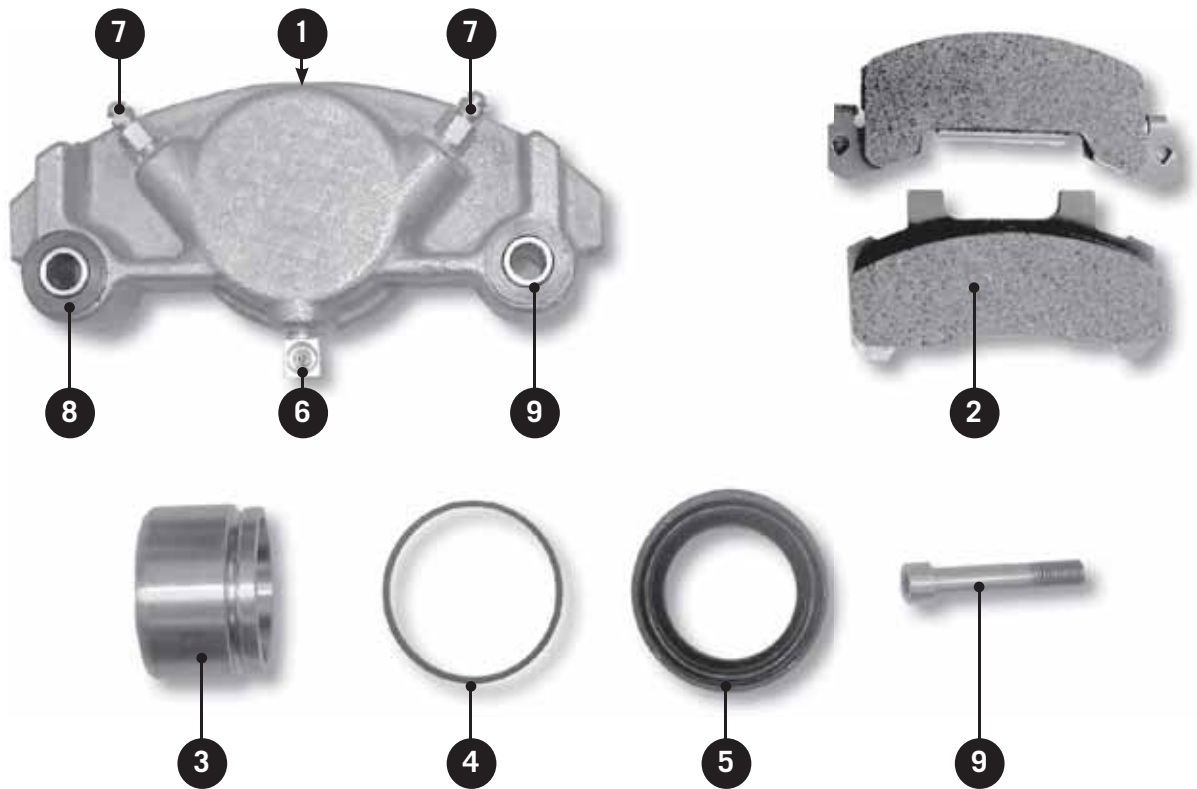


KODIAK / DEEMAXX 2.25" – 2.50"



SPARE PARTS

| ITEM | DESCRIPTION | 2.25" PISTON | 2.50" PISTON |
|------|--|---|---|
| 1 | Caliper Complete. SCAD Plated | TE192KDBC225 | TE192KDBC250 |
| | | Stainless Steel TE192KDBC225SS | TE192KDBC250SS |
| 2 | Brake Pads (set of 4) | Ceramic: TE192K225PAD Semi-metallic: TE192K225PADSM S/steel backed: TE192K225PADSS | Ceramic: TE192K250PAD S/steel backed: TE192K250PADSS |
| 3 | Piston | TE192K225PISTON | TE192K250PISTON |
| 4 | Piston Seal | TE192K225SEAL | TE192K250SEAL |
| 5 | Piston Dust Seal | TE192K225B00T | TE192K250B00T |
| 6 | Port Adapter - brass | TE192KBAP | TE192KBAP |
| 7 | Bleeder Assembly - Kodiak Bleeder Assembly - Deemaxx, | TE192KADP TE192KBD | TE192KADP TE192KBD |
| 8 | Caliper Slide Bush (2) | TE192KBSB | TE192KBSB |
| 9 | Caliper Mounting Bolt & Slide (2) | TE192KMHBS | TE192KMHBS |