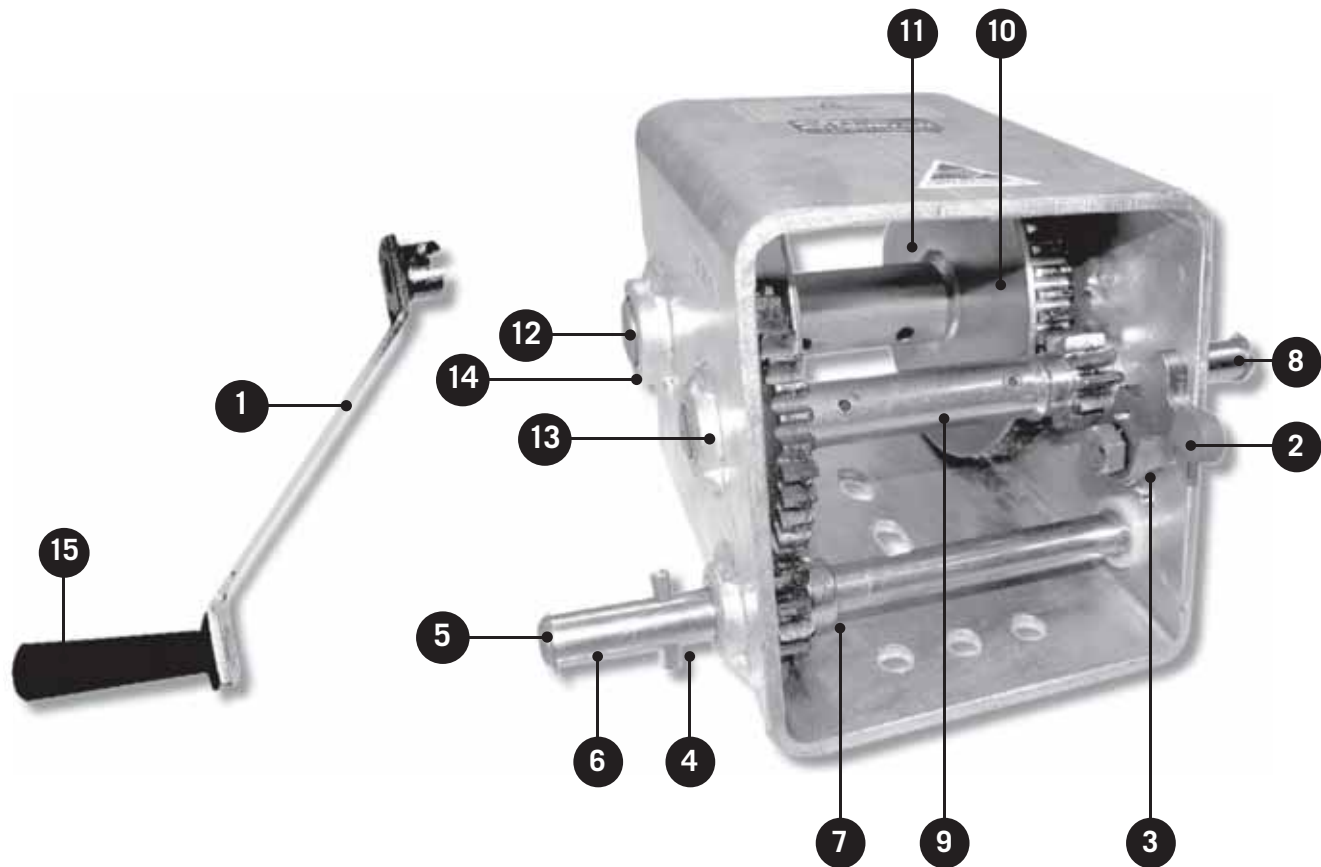


# 10:1 / 15:1 BOAT WINCH



ITEM	DESCRIPTION	1 0:1	10:1 Wide Body	15:1
1	Handle Assembly	TE1914WH	TE1914WH	TE1914WH
2	Ratchet Pawl	TE1914R	TE1914R	TE1914R
3	Spring - Ratchet Pawl	TE1914RS	TE1914RS	TE1914RS
4	Roll Pin Handle Drive	TE1914HSR	TE1914HSR	TE1914HSR
5	Circlip Handle Shaft M16	TE1914HSC	TE1914HSC	TE1914HSC
6	Handle Shaft	TE1914HS	TE1914WS	TE1914WS
7	Pinion 11 Tooth (include roll pin)	TE1914W11T	TE1914W11T	TE1914W11T
8	Handle Shaft	TE1914HS	TE1914WS	TE1914WS
9	Intermediate Gear Shaft	TE1914IG10	POA	POA
10	Winch Drum	POA	POA	POA
11	Wire Rope Clamp and Bolt	TE1914WC	TE1914WC	TE1914WC
12	Drum Shaft	POA	TE1914WS	TE1914WS
13	Shaft Bush	TE1914WB	TE1914WB	TE1914WB
14	Shaft Bush Drum	TE1914WB	TE1914WB	TE1914WDB
15	Plastic Handle	TE1914WP	TE1914WP	TE1914WP