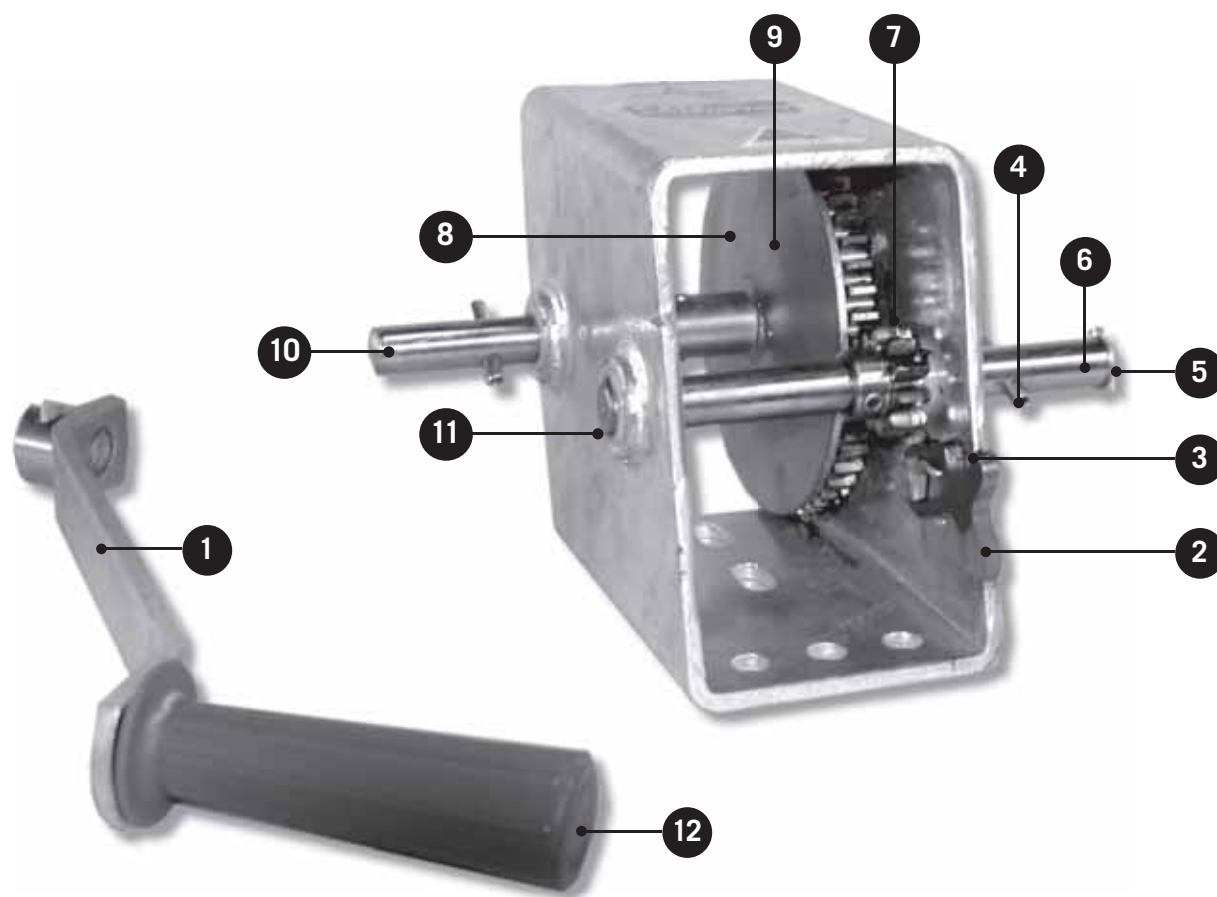


# BOAT WINCH



SPARE PARTS

ITEM	DESCRIPTION	1:1	3:1	5:1
1	Handle Complete	TE1914WH	TE1914WH	TE1914WH
2	Ratchet Pawl	TE1914R	TE1914R	TE1914R
3	Ratchet Spring	TE1914RS	TE1914RS	TE1914RS
4	Roll Pin Handle Drive	TE1914HSR	TE1914HSR	TE1914HSR
5	Circlip Handle Shaft M16	TE1914HSC	TE1914HSC	TE1914HSC
6	Handle Shaft		TE1914HS	TE1914HS
7	Pinion 11 Tooth and roll pin		TE1914W11T	TE1914W11T
8	Winch Drum and Gear	POA	POA	POA
9	Wire Rope Clamp and Bolt	TE1914WC	TE1914WC	TE1914WC
10	Drum Shaft	TE1914HS	TE1914HS	TE1914HS
11	Shaft Bush (4)	TE1914WB	TE1914WB	TE1914WB
12	Plastic Handle	TE1914WP	TE1914WP	TE1914WP

POA - Part On Application