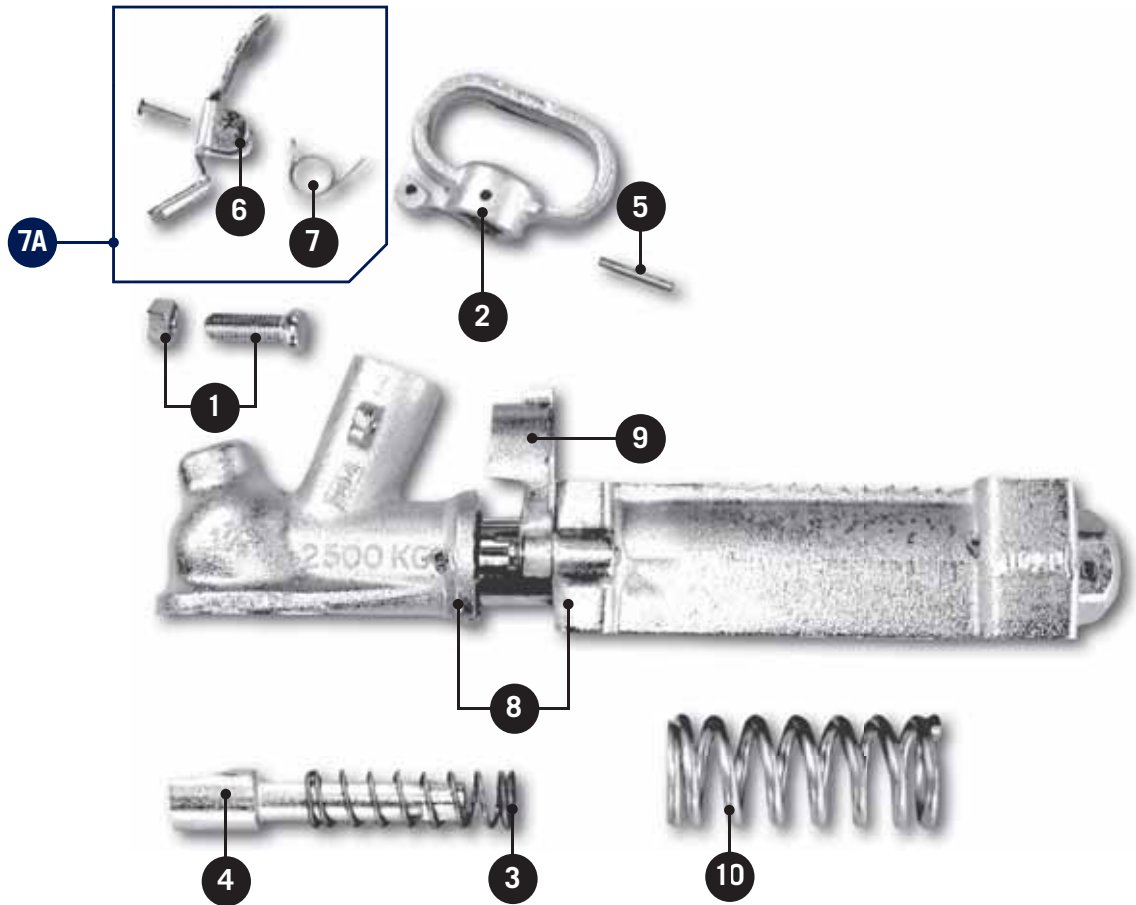


# HYDRAULIC OVERRIDE COUPLINGS

TE4C798 1<sup>7</sup>/<sub>8</sub>"

TE4C799 50mm



ITEM	DESCRIPTION	1 <sup>7</sup> / <sub>8</sub> RIVET SAFETY CATCH	1 <sup>7</sup> / <sub>8</sub> BOLTED SAFETY CATCH	50MM RIVET SAFETY CATCH	50MM BOLT SAFETY CATCH
1	Adjuster Screw and Nut	TE194411 ½" Whitworth	TE194411C M12x1.75mm TE194411U is ½" UNC 2014 onwards	TE194411 ½" Whitworth	TE194411C M12x1.75mm TE194411U is ½" UNC 2014 onwards
2	Handle C/W Safety Catch	TE194409	TE194409C	TE194409	TE194409C
3	Plunger Spring	TE194412	TE194412	TE194412	TE194412
4	Plunger	TE194413	TE194413C	TE194413	TE194413C
5	Plunger Roll Pin	TE194410	TE194410	TE194410	TE194410
6	Safety Catch and Rivet	TE194407		TE194407	
7	Safety Catch Spring	TE194408		TE194408	
7A	Safety Catch spring & Rivet or Bolt	TE194406P	TE194406CP	TE194406P	TE194406CP
8	Override Body Assembly Standard Spring Light Spring	TE194401Z TE1904401LZ	TE194401Z TE194401LZ	TE194402Z TE1904401LZ	TE194402Z TE1904402LZ
9	Reverse Clip/Pin/Spring	TE194416P	TE194416P	TE194416P	TE194416P
10 LIGHT	Override Spring – Light (1000kg is 6mm diameter)	TE194418		TE194418	
10 STANDARD	Override Spring – Standard (2000kg is 7mm diameter)	TE194419		TE194419	