

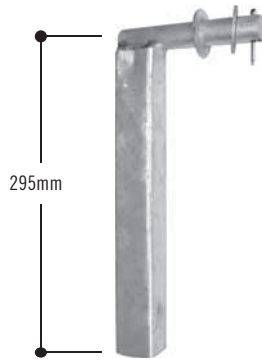
Wobble rollers are used to support the boat on the trailer and can be used with or without keel rollers. Because of their large diameter and width, they offer excellent support and rolling action.

All pivots are offset so that the rollers point down to the keel line, quads also point down to the rear of the trailer. In order to distribute the weight over as large an area as possible plus suit a wide variety of hulls our modular kitsets are available in a variety of combinations of width x length. Rollers are sold separately.

Mounting wobble roller brackets to each trailer chassis bracket requires 1 plate and 2 U-bolts.

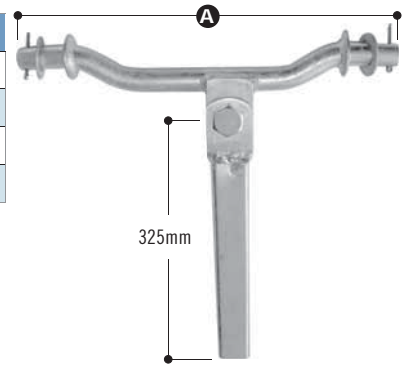
SINGLE

TE16WS



DUAL

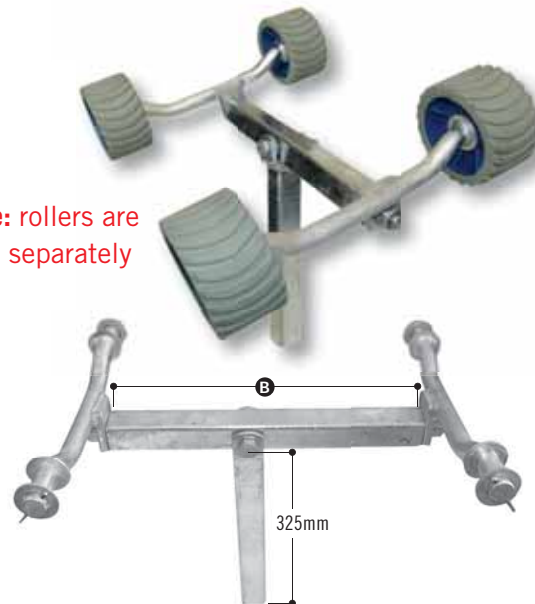
PART NO	A
TE16WD310	310mm
TE16WD410	410mm
TE16WD510	510mm
TE16WD610	610mm



QUAD

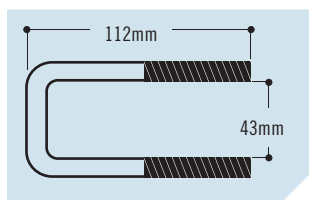
PART NO	A	B
TE16WQ310-300	310mm	300mm
TE16WQ310-400	310mm	400mm
TE16WQ310-500	310mm	500mm
TE16WQ310-600	310mm	600mm
TE16WQ410-300	410mm	300mm
TE16WQ410-400	410mm	400mm
TE16WQ410-500	410mm	500mm
TE16WQ410-600	410mm	600mm
TE16WQ510-300	510mm	300mm
TE16WQ510-400	510mm	400mm
TE16WQ510-500	510mm	500mm
TE16WQ510-600	510mm	600mm
TE16WQ610-300	610mm	300mm
TE16WQ610-400	610mm	400mm
TE16WQ610-500	610mm	500mm
TE16WQ610-600	610mm	600mm

Note: rollers are sold separately



SQUARE U-BOLT

TE16WUB



U-BOLT PLATES

PART NO	A	B
TE16WUP50	50mm	43mm
TE16WUP64	64mm	43mm
TE16WUP89	89mm	43mm
TE16WUP102	102mm	43mm

