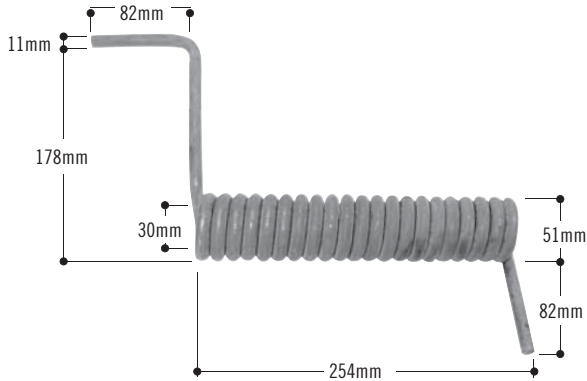


TAIL DOOR SKIP SPRINGS

TE12S01

The spring rate is 3060 lb/inch and a work load of 110lbs is required to move the leg through 90°.

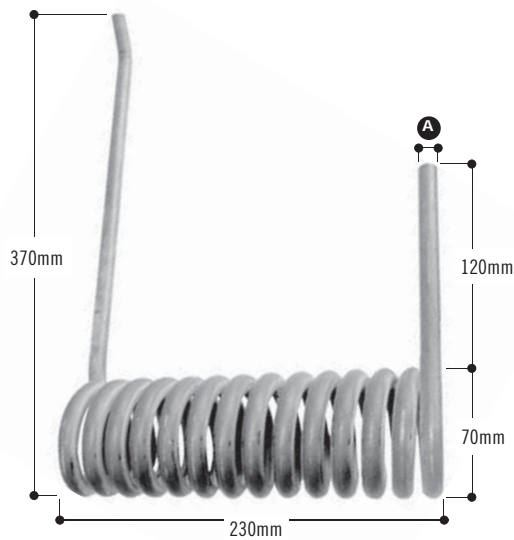


TE12S03LZ/RZ

This skip spring is 12mm in diameter.

It is suitable for horse float doors.

Available left and right handed (Left hand pictured).



PART NO	LEFT/RIGHT	DIAMETER A	FINISH
TE12S03LZ	Left (Pictured)	12mm	Zinc
TE12S03RZ	Right	12mm	Zinc

RUBBER BUFFERS



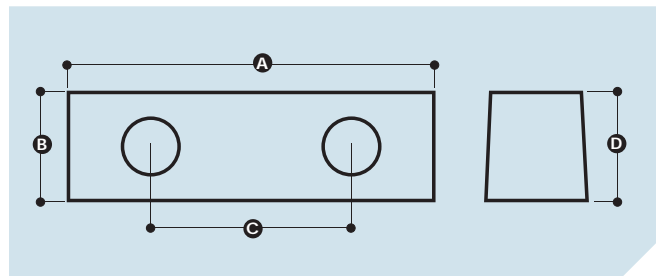
TE12R2500



TE12R2511



TE12R2503



PART NO	A	B	C	D
TE12R2500	125mm	41mm	65mm	42mm
TE12R2503	200mm	52mm	103mm	51mm
TE12R2511	203mm	52mm		79mm

HORSE FLOAT TAIL DOOR SPRING

TE12S02

Ideal spring for horsefloat tail doors.

Wire diameter 6.35mm. Overall length 690mm x 45mm dia.

