

RUBBER DOOR HOLDERS

TE12F666

This simple rubber door holder is positive in operation and combines the function of door buffer and door holder. The female part is moulded in black rubber with a plated steel discbonded into the base.

The male part is moulded in black polypropylene suitable for all temperatures to -32°C.

Female = 40mm dia. x 32mm long. Male = 25mm dia. x 28mm long.



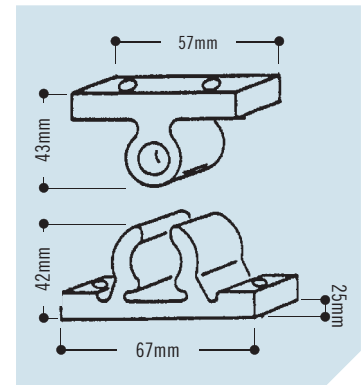
NYLON DOOR HOLDERS

TE12F555

All nylon, adjustable door retainer.

Adjustment of the screw to increase or decrease the holding pressure, this retainer will hold the heaviest of doors.

Made from a special nylon machine tested through a million plus closures without wear or damage.



DOOR HOLDERS

TE12F535



TE12F545

Catch plate with spring.

Zinc plated.



PLASTIC WOF HOLDER

TE12W0F105



PLASTIC WOF / REGISTRATION HOLDER

TE12W0R

