

GALVANISED STEEL WHEELS

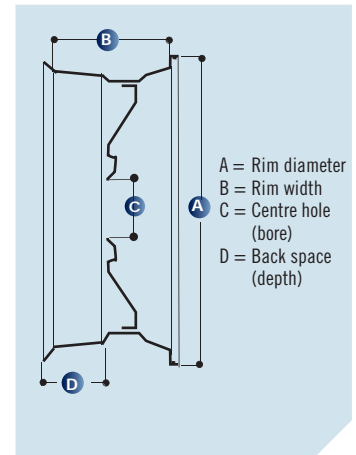
SPOKE WHEELS 12" to 16"



ATV TRAILER WHEELS



WHEEL WITH 25mm INTEGRAL BEARINGS



■ For increased strength & durability, CM's 13" and 14" spoke wheels all have 5mm thick centres. 15" & 16" have 6mm thick centres. This is heavier than the industry standard.

PART NO	DIAMETER (A)	WIDTH (B)	C	D	CARRYING CAPACITY EACH	NO OF SPOKES	PCD	D.O.T. APPROVED
TE18W9540	8"	5.375"			360kg		4 x 4"	Yes
TE18W9542	8"	7"			500kg	N/A	4 x 4"	Yes
TE18W9352G	9"	9"			400kg	N/A	4 x 4"	Yes
TE18W9432	8"	2.50"			500kg	N/A	Integral 25mm bearings	Yes
TE18W9442	8"	3.75"						
TE18W9452	8"	5.50"						
TE18W9462G	8"	7"						
TE18R12	12"	4"	71mm	60mm	466kg	8	4 x 4"	Yes
TE18R13	13" ■	5"	84mm	80mm	815kg	8	5 x 4.50"	Yes
TE18R14	14" ■	6"	84mm	100mm	860kg	8	5 x 4.50"	Yes
TE18R15-5	15" ■	6"	84mm	90mm	1180kg	8	5 x 4.50"	Yes
TE18R15-6	15" ■	7"	110mm	110mm	1180kg	8	6 x 5.50"	Yes
TE18R16-6	16" ■	6"	110mm	90mm	1700kg	8	6 x 5.50"	Yes

STUB AXLE

For use with integral wheels.

PART NO	AXLE DIAMETER	BEARINGS
TE18W9856	1 ¼" (31.75mm)	6205 (25mm)



TYRES



TYRE LOADING:

All tyres fitted to trailers must be marked with their load carrying capacities. When fitted to single axle trailers, the capacities of the two tyres are added together and must be at least equal with the gross laden weight of the trailer. When fitted in tandem and there is no equalising or load sharing suspension, these tyre capacities must be reduced by 25% and the four tyre capacities together must then be at least equal to the Gross Laden Weight (GLW) of the trailer."

PART NO	TYRE DIAMETER	SIZE	PLY RAT-ING	CAPACITY
TE1918T13-1658-P	13"	165R13	8	670kg
TD1918T13-195-8P	13"	195/50R13C	8	900kg
TE1918T14-185-8P	14"	185R14C	8	850kg