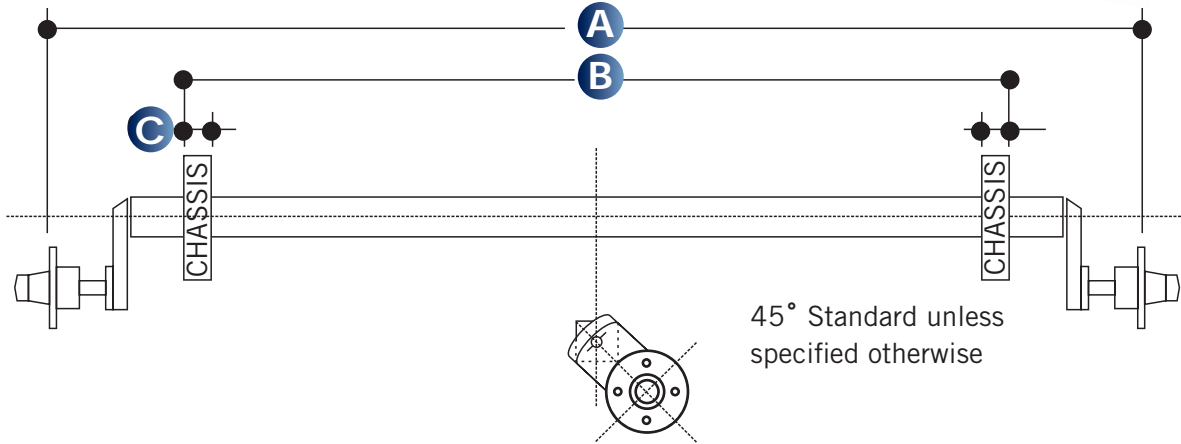


CUSTOM TORSION SUSPENSIONS

At CM we make custom torsion suspensions to customer specifications. Simply advise us the dimensions required as described in the chart below. Units are available from 750kg to 2500kg per axle beam and can be finished either galvanised or primer undercoated.



SPRINGS & SUSPENSIONS

ORDER FORM	A Overall hub flanges =		C Chassis width =		
	B Overall chassis frame =		D Wheel & tyre size =		
Name:					
Company:					
Address:					
Phone:					
Email:					
Comments:					
Signature:				Date:	

Simply copy and complete this form and Freefax back to CM Trailer Parts on **0800 933 393**