

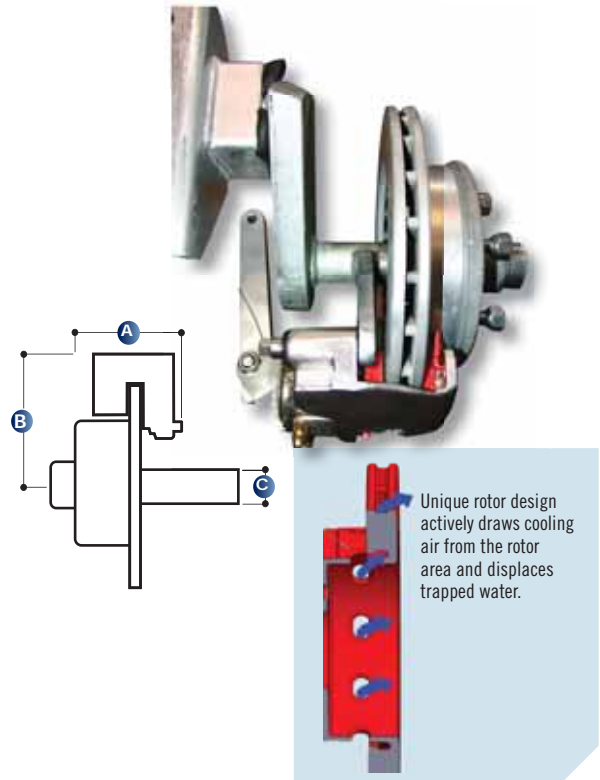
Gold Line*, Dacromet finish or stainless steel hydraulic caliper

* Gold Line calipers are an entry-level item and do not have any stainless steel components.



ROTORS & CALIPERS AVAILABLE IN STAINLESS STEEL

Hydraulic with Integral Park Brake Caliper



| PART NO | CAPACITY PER PAIR | A | B | C | 11" ROTOR | CALIPERS | INTEGRATED PARK BRAKE CALIPER | CALIPER SIZE | PCD MIN-MAX (MM) |
|-------------|-------------------|-------|-------|------|-----------------|-----------------|-------------------------------|--------------|------------------|
| TE2DIHK150 | 1500kg | 158mm | 150mm | 39mm | Dacromet Coated | Gold Line | | 2 ¼" | 100-150mm |
| TE2DIHK151 | 1500kg | 158mm | 150mm | 39mm | Dacromet Coated | Dacromet Coated | | 2 ¼" | 100-150mm |
| TE2DIHK151P | 1500kg | 158mm | 150mm | 39mm | Dacromet Coated | Dacromet Coated | ■ | 2 ¼" | 100-150mm |
| TE2DIHK152 | 1500kg | 158mm | 150mm | 39mm | Dacromet Coated | Stainless Steel | | 2 ¼" | 100-150mm |
| TE2DIHK152P | 1500kg | 158mm | 150mm | 39mm | Dacromet Coated | Stainless Steel | ■ | 2 ¼" | 100-150mm |
| TE2DIHK153 | 1500kg | 158mm | 150mm | 39mm | Stainless Steel | Stainless Steel | | 2 ¼" | 100-150mm |
| TE2DIHK153P | 1500kg | 158mm | 150mm | 39mm | Stainless Steel | Stainless Steel | ■ | 2 ¼" | 100-150mm |
| TE2DIHK170 | 1750kg | 158mm | 150mm | 45mm | Dacromet Coated | Gold Line | | 2 ¼" | 100-150mm |
| TE2DIHK171 | 1750kg | 158mm | 150mm | 45mm | Dacromet Coated | Dacromet Coated | | 2 ¼" | 100-150mm |
| TE2DIHK171P | 1750kg | 158mm | 150mm | 45mm | Dacromet Coated | Dacromet Coated | ■ | 2 ¼" | 100-150mm |
| TE2DIHK172 | 1750kg | 158mm | 150mm | 45mm | Dacromet Coated | Stainless Steel | | 2 ¼" | 100-150mm |
| TE2DIHK172P | 1750kg | 158mm | 150mm | 45mm | Dacromet Coated | Stainless Steel | ■ | 2 ¼" | 100-150mm |
| TE2DIHK173 | 1750kg | 158mm | 150mm | 45mm | Stainless Steel | Stainless Steel | | 2 ¼" | 100-150mm |
| TE2DIHK173P | 1750kg | 158mm | 150mm | 45mm | Stainless Steel | Stainless Steel | ■ | 2 ¼" | 100-150mm |
| TE2DIHK200 | 2000kg | 158mm | 150mm | 50mm | Dacromet Coated | Gold Line | | 2 ¼" | 108-150mm |
| TE2DIHK201 | 2000kg | 158mm | 150mm | 50mm | Dacromet Coated | Dacromet Coated | | 2 ¼" | 108-150mm |
| TE2DIHK201P | 2000kg | 158mm | 150mm | 50mm | Dacromet Coated | Dacromet Coated | ■ | 2 ¼" | 108-150mm |
| TE2DIHK202 | 2000kg | 158mm | 150mm | 50mm | Dacromet Coated | Stainless Steel | | 2 ¼" | 108-150mm |
| TE2DIHK202P | 2000kg | 158mm | 150mm | 50mm | Dacromet Coated | Stainless Steel | ■ | 2 ¼" | 108-150mm |
| TE2DIHK203 | 2000kg | 158mm | 150mm | 50mm | Stainless Steel | Stainless Steel | | 2 ¼" | 108-150mm |
| TE2DIHK203P | 2000kg | 158mm | 150mm | 50mm | Stainless Steel | Stainless Steel | ■ | 2 ¼" | 108-150mm |