

SIDEWIND/SWIVELLING JOCKEY WHEELS

TE9JW14SNS

215mm Dia x 58mm wide

Solid Rubber Tyre

Nylon Hub



TE9JW20SXHS

HEAVY DUTY

260mm Dia x 75mm wide

Solid Rubber Tyre

Reinforced

Die Cast Hub



JOCKEY WHEELS

TE9JW07

150mm x 50mm

Solid Rubber Tyre



TE9JW72

215mm Dia
x 58mm wide

Solid Rubber Tyre

Nylon Hub




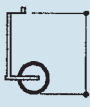
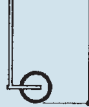
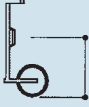
TE9JW03

260mm Dia
x 75mm wide

Pneumatic Tyre

Die Cast Hub



PART NO	CAPACITY	CLOSED HEIGHT (A)	EXTENDED HEIGHT (B)	CLOSED HEIGHT SWIVEL CENTRE LINE TO BASE (C)	WHEEL TYPE
					
TE9JW03	150kg				300x4
TE9JW72	200kg				250x4
TE9JW07	220kg				150x50
TE9JW14SNS	200kg	600mm	850mm	290mm	250x4
TE9JW20SXHS	300kg	650mm	950mm	340mm	300x4

JOCKEY WHEELS & STANDS

EXTRA HEAVY DUTY 750KG JOCKEY WHEEL

TE9JW750D

Four position adjustable bracket, with 250mm extension at each to a maximum height of 750mm.

750kg capacity.


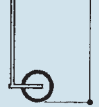
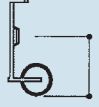
Magnetic, removable, side-winding handle.

Easy-pivot trailing yoke.

Dual wheel with sealed ball bearings and off-road tread.

Rust-resistant finish.



CLOSED HEIGHT (A)	EXTENDED HEIGHT (B)	CLOSED HEIGHT SWIVEL CENTRE LINE TO BASE (C)	WHEEL TYPE
			
645mm	920mm	285mm	200 x 45 Twin